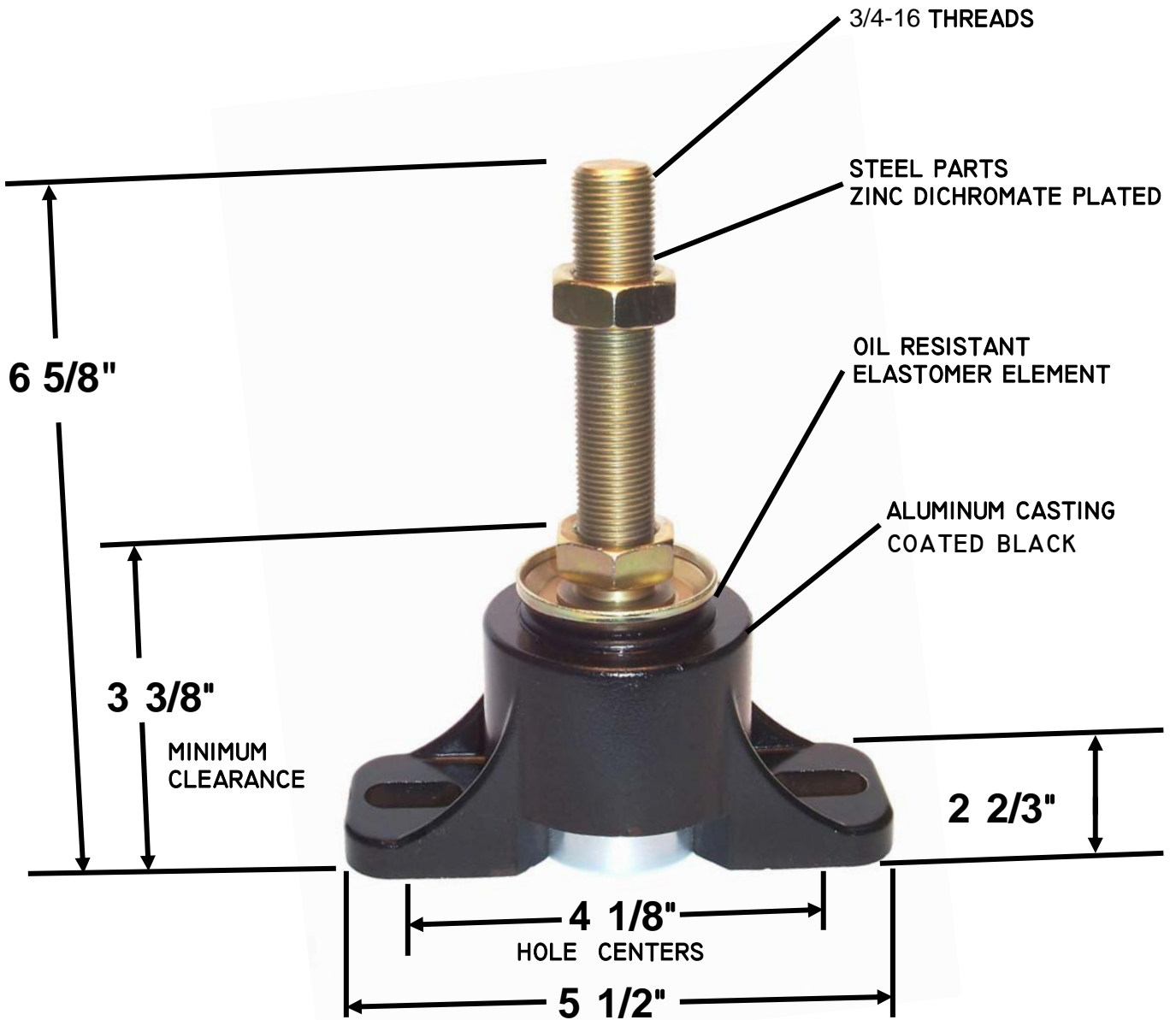


DUAL-FLEX MARINE & INDUSTRIAL ENGINE VIBRATION ISOLATORS DF-216-B2



DF-216-B2

Manufactured in U.S.A.

The (“Dual Flex”) DF-216-B2 Engine Mount is recommended for all 4 and 6 cylinder, and V8 gas powered engines up to 1200 pounds, where additional installation clearance is required. This mount features heavy duty aluminum 356 - T6 alloy construction with lip incorporated in the top of the casting to resist the upward pull of the engine - coated black to resist corrosion. Durable oil and fuel resistant elastomer element.

Fail safe design-internal elastomer element plus aluminum bottom pad prevents excessive impact. Raised profile mount - requires 3 3/8" minimum clearance from casting base to top of leveling nut. Easy installation with 3/4" threaded stud for vertical height adjustment. Aluminum base cast with mounting holes for 1/2" bolts or lag screws on 4 1/8" center. Mounting holes are slotted in line with "ears" of the casting, which allows these mounts to accommodate hole centers from 3 5/8" to 4 5/8". Mounts furnished complete with leveling, and locking nuts. All steel parts are zinc dichromate plated for corrosion resistance.

SUGGESTED MOUNTINGS

ENGINE WEIGHTS

4 POINT MOUNTINGS

up to 1200 lbs.

DF-216-B2

The Bushings, Inc. "Dual Flex" Marine Engine Mount design provides outstanding vibration isolation control across the three (longitudinal, lateral, and vertical) fields of vibratory motion. Construction of the mount gives a soft cushioning effect under normal loads, as mount loads increase across the operating range, shear resistance grows quickly providing smooth operation with a small amount of deflection.



BUSHINGS, INC.

1967 Rochester Industrial Drive

Rochester Hills, Michigan 48309-3340

Phone:(248)650-0603 Fax:(248)650-0606

www.bushingsinc.com

